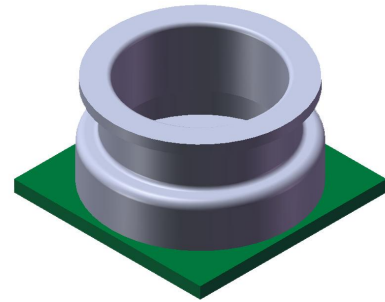


# XGZP6827D PRESSURE SENSOR

## FEATURES

---

- Wide Ranges: -100kPa~0kPa~200kPa(show in [Pressure Range Example](#))
- Optional 1.8V ~ 3.6V Power Supply, Low Consumption.
- Gage(Positive&Vacuum) Type
- For dry Non-corrosive Gas or Air
- Calibrated Digital Signal(I2C Interface)
- Temp. Compensated: 0°C ~ +60°C(32°F ~ +140°F)
- Multiple work mode and FIFO available



## APPLICATIONS

---

■ Medical&Healthy: e.g. ventilators, CPAP, NPWT, DVT, blood analysis, blood pressure monitoring, drug dosing, hospital beds, oxygen concentrators, patient monitoring, sleep apnea equipment, urine analyzers and wound therapy, breast pumps, massage device etc.

■ Consumer&Household: e.g. Robot, UAV, wearable device, coffee makers, washing machines, vacuum cleaners, hand dryers, air pump, air beds etc.

■ Industrial&Automation: e.g. HVAC, flow and liquid level measurement, process control and monitoring, life sciences, pressure switch and meter, IoT and automotive application etc.

## INTRODUCTION

---

XGZP6827D is a perfect silicon pressure sensor offering a digital I2C interface for reading pressure over the specified full scale pressure span, as well as ambient temperature measurement.

The XGZP6827D incorporates a silicon piezoresistive pressure sensor die and an interior Application Specific Integrated Circuit(ASIC) in a small COB package.

The XGZP6827D is fully calibrated and temperature compensated for offset, sensitivity, temperature and non-linearity, so XGZP6827D pressure sensor satisfy the prefect repeatability, linearity, stability and sensibility, which can be applied directly in medical care&health, home appliances, consumer electronic, industry, automotive and other pneumatic devices etc.

XGZP6827D pressure sensor is for high volume application at an affordable cost but perfect performance.

Customized calibrations (e.g.pressure range etc.) are available.

## PERFORMANCE PARAMETER

Unless otherwise specified, measurements were taken with a a temperature of  $25\pm 1^{\circ}\text{C}$  and humidity from 25% ~ 85%RH.

Item	Data	Unit	Remark
Available Pressure Range <sup>1</sup>	<u>-100...0...200</u>	kPa	Customization acceptable
Power Supply <sup>2</sup>	1.8~3.3	Vdc	
Current Consumption	6	uA@OSR_P=1024X	
ADC Resolution <sup>3</sup>	24	Bit	
SDA/SCL pull up resistor	2.2	Kohm	
ESD HBM	4000	V	
Total Accuracy <sup>4</sup>	10kPa < Pressure ≤ 200kPa	±2	Customization acceptable
	Pressure ≤ 10kPa	±2.5	
Long Term Stability <sup>5</sup>	±1	%Span	
Over Pressure <sup>6</sup>	2X	Rated	
Burst Pressure <sup>7</sup>	3X	Rated	
Compensation Temp. <sup>8</sup>	0 ~ 60/32 ~ 140	°C/°F	Customization acceptable
Operating Temp. <sup>9</sup>	-20 ~ 100/-4 ~ 212	°C/°F	
Storage Temp.	-30 ~ 125/-22 ~ 257	°C/°F	
Response Time <sup>10</sup>	2.5	mS	

1 **Pressure Range(Operating pressure)**: The available pressure range including various span, not a specific pressure range.

2 **Power supply**: The default test voltage value: 3.3V, optional power supply voltage range:1.8 ~ 3.6V.

3 **ADC Resolution**:The ADC resolution is defined as the smallest incremental voltage that can be recognized and thus causes a change in the digital output.

4 **Total Accuracy**: The max. deviation in output from ideal transfer function at any pressure or temperature over the specified ranges, units are in percent of full scale span (%FSS), which mainly consists of: Offset and Span Shift;Linearity(Non-linearity); Repeatability; Pressure Hsteresis ; TcOffset and TcSpan.

4.1. The accuracy in table is the typical output accuracy. The accuracy is not identical according to different specified pressure range. Contact factory for more information or for higher accuracy requirement(e.g ±1%Span) if need.

4.2 Non-linearity(Linearity): the deviation of measured output from "Best Straight Line" through three points (Offset pressure, FS pressure and ½ FS pressure)at constant temperature.

4.3 Repeatability: the deviation of measured output when the same pressure is applied continuously, with pressure approaching from the same direction within the specified operating pressure range,under the same operating conditions.

4.4 Pressure Hysteresis: the deviation of measured output at any pressure within the specified range, when this pressure is applied continuously, with pressure approaching from opposite directions within the specified operating pressure range, under the same operating conditions.

4.5 TcOffset (TCO:Temp. Coefficient of Offset): the deviation of measured output with minimum rated pressure applied, over the temperature range of 0° to 60°C, relative to 25°C.

4.6 TcSpan (TCS:Temp. Coefficient of Span): the deviation of measured output over the temperature range of 0° to 60°C, relative to 25°C.

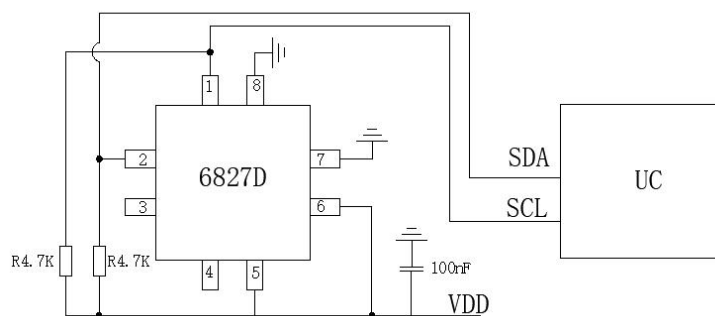
5. **Long Term Stability**: the sensor's output deviation when subjected to 1000 hours pressure test.

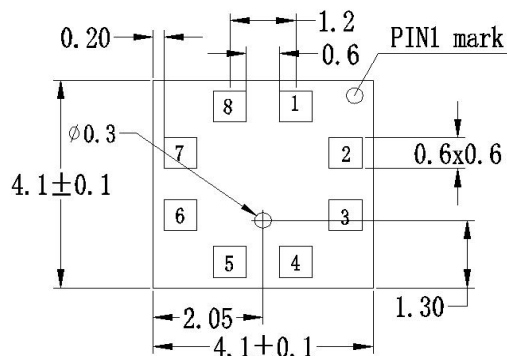
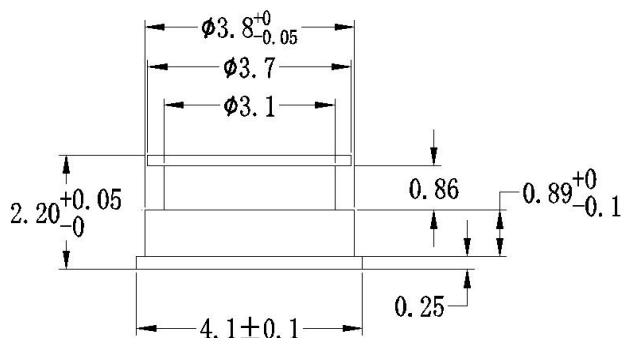
6. **Over Pressure** (Proof pressure): the maximum pressure which may be applied without causing durable shifts of the electrical parameters of the sensing element and remain the specification once pressure is returned to the operating pressure range.
7. **Burst Pressure**: the maximum pressure which may be applied without causing damage to the sensing die or leaks; The sensor should not be expected to recover function after exposure to any pressure beyond the burst pressure.
8. **Compensated Temperature**: the temperature range over which the sensor have an output proportional to pressure within the specified performance limits.
9. **Operating Temperature** (or Ambient Temperature): the temperature range over which the sensor have an output proportional to pressure but may not remain within the specified performance limits.
10. **Response Time**: it is defined as the time for the incremental change in the output from 10% to 90% of its final value when subjected to a specified step change in pressure.

## ELECTRICAL CHARACTERISTICS(ASIC)

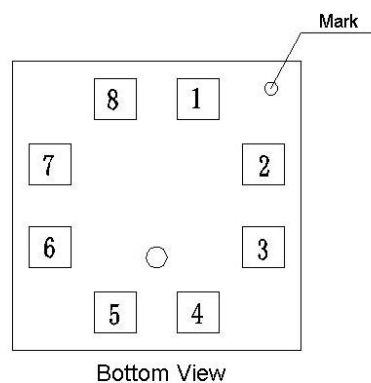
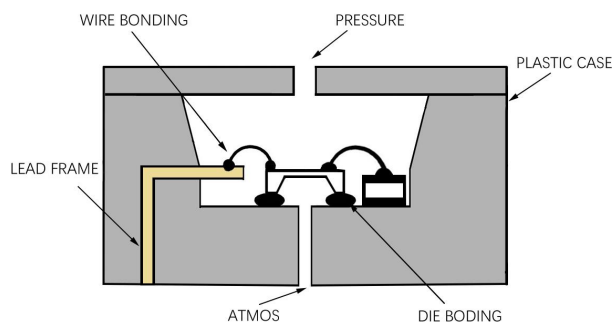
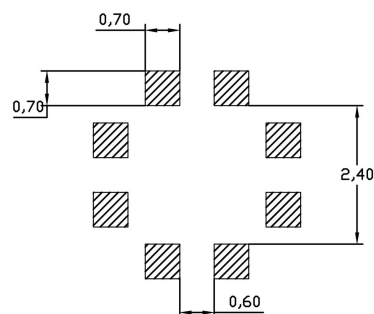
Parameter	Min.	Typ.	Max.	Unit	Notes
Power Supply	1.8	3.3	3.6	V	
Working Temp.	-20		85	°C	
Standby Current		100	250	nA	Sleep statue in 25°C
Max.Average.Current			0.6	mA	Constant measurement
LDO Output	1.58	1.67	1.85	V	
PSRR	17			dB	VDD=1.8V
	32			dB	VDD=2.0V
Start Time			1	ms	power-on to start of communication
			2.5	ms	power-on to start of measurement
Response Time			0.5	ms	Sleep state to start communication
			2	ms	Sleep state to start measurement
Temp. Meas. Range	-40		150	°C	Interior temp. sensor
IIC Clock Frequency			400	KHz	

## CRICUIT DIAGRAM



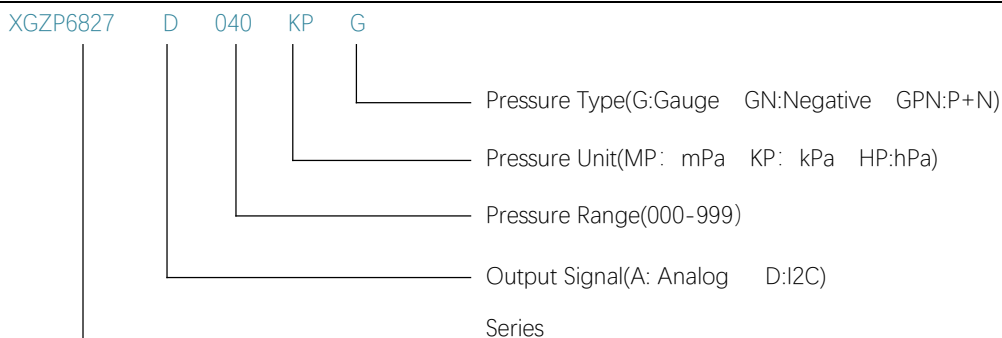
**DIMENSION (Unit:mm)**


PIN	Name	I/O	Function
1	SCL	I	IIC serial clock input pin
2	SDA	I/O	IIC serial bi-directional input pin
3	INT	0	Interrupt output (data ready)
4	NC	-	NO Connect
5	VDD	I	Power supply
6	VDDIO	I	Power Supply for I/O Circuit
7	GND	I	Ground
8	GND	I	Ground


**CROSS SECTION**

**FOOTPRINT(REFERENCE)**

**Notes:**

1. Implement ESD protection during whole soldering and assembly process.
2. Overload voltage(max.3.6Vdc) may burn the ASIC and cause the sensor fail throughly.
3. More details about soldering and storage etc., refer to [Overall notes](#).

## ORDER GUIDE



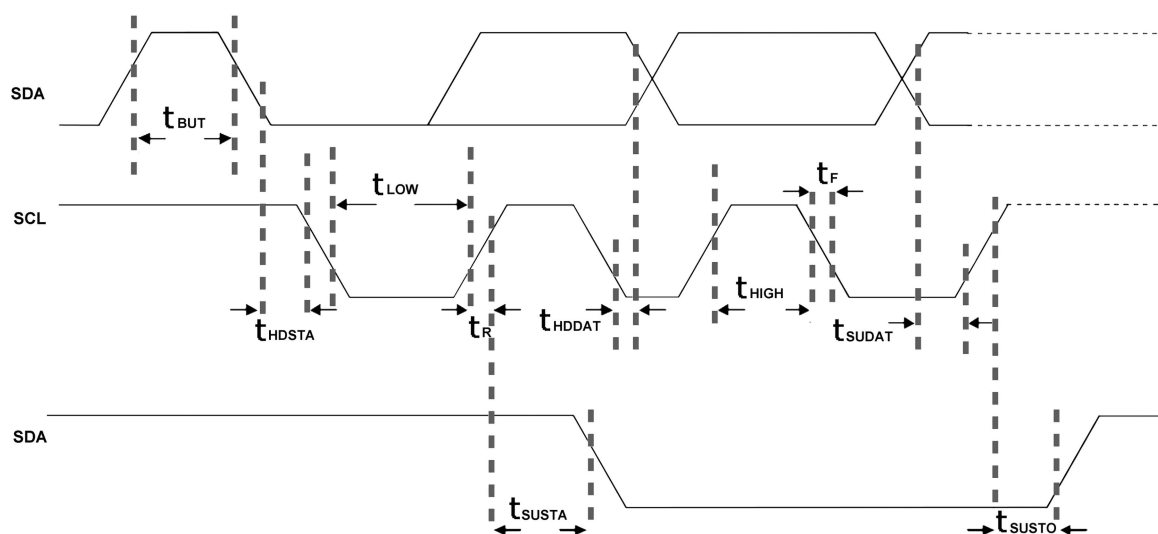
Note: Custom requirement or parameter, please consult CFSensor and comment custom code herewith Part number.

## PRESSURE RANGE EXAMPLE

Notes: Unit conversion: 1000hPa=1000mbar $\approx$ 750mmHg $\approx$ 100kPa $\approx$ 14.5PSI $\approx$ 10mH<sub>2</sub>O $\approx$ 1bar=0.1MPa;

Pressure Range (kPa)	Pressure Range (by other units)	Part Number
0 ~ 20	0 ~ 200mbar / 0 ~ 150mmHg	XGZP6827D 020KPG
0 ~ 40	0 ~ 400mbar / 0 ~ 300mmHg	XGZP6827D 040KPG
0 ~ 100	0 ~ 1bar / 0 ~ 14.5PSI	XGZP6827D 100KPG
-100 ~ 0	-1 ~ 0bar / -14.5 ~ 0PSI	XGZP6827D 100KPGN
-40 ~ 40	-400 ~ 400mbar / -300 ~ 300mmHg	XGZP6827D 040KPGPN
Other custom pressure span, consult CFSensor		

## I2C TIME DIAGRAM



The I2C interface protocol has special bus signal conditions. Start (S), stop (P) and binary data conditions are shown below. At start condition, SCL is high and SDA has a falling edge. Then the slave address is sent. After the 7 address bits, the direction control bit R/W selects the read or write operation. When a slave device recognizes that it is being addressed, it should acknowledge by pulling SDA low in the ninth SCL (ACK) cycle.

At stop condition, SCL is also high, but SDA has a rising edge. Data must be held stable at SDA when SCL is high. Data can change value at SDA only when SCL is low.

## OPERATION MODE

---

XGZP6827D includes "NOR", "CYC" and "CMD" three working modes. The first two modes can be switched normally by the user. CMD is the calibrated mode before delivery, so it is not recommended for users to use this mode.

Users can switch among the three working modes by sending control commands. If the product is under measurement when the mode switching control command is sent, then this mode switching command will be delayed until the current measurement period ends before being executed. All other commands that continue to be sent will be ignored until this command is executed.

### NOR Mode

This mode is the default working mode after power-on. In this mode, the external controller (MCU) must actively send a control command to trigger a measurement process, otherwise the product is always in a deep sleep state. A pressure and temperature measurement and calibration process will be started only after the control command is correctly received, and will automatically enter a deep sleep state after completion to save power consumption until the next control command is received. During deep sleep, the current consumption is about 0.1 $\mu$ A. NOR mode is suitable for applications with very low sampling rates, or applications that need to work synchronously with the master device.

### CYC Mode

CYC mode (Cyclic mode) is an automatic periodic working mode. In this mode, the product will periodically switch automatically between the measurement state and the sleep state, and the user can read the measurement results at any time.

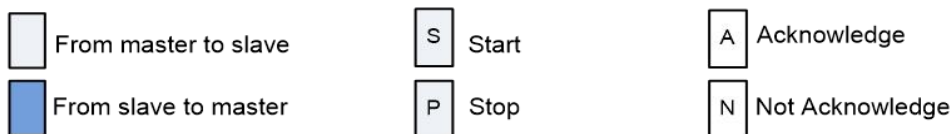
In CYC mode, the product will automatically and periodically execute the operation of the last received control command until a new control command is received; if no control command is sent after entering CYC mode, the default measurement command will be executed.

In CYC mode, FIFO (first in, first out) is enabled by default, and only pressure or temperature values can be read out through the digital interface each time. The user can continuously read out the measurement results stored in the FIFO until the FIFO is empty.

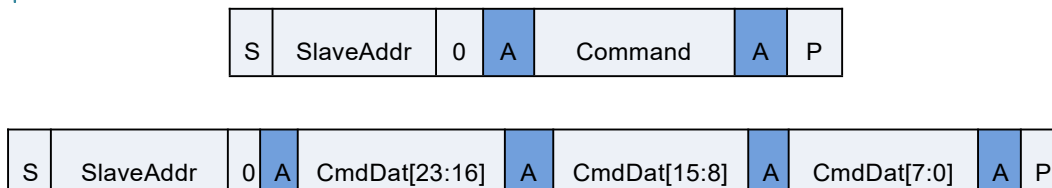
If the FIFO is disabled, the user must read the 20-bit pressure value and 20-bit temperature value at one time. When reading data, if the product is just under measurement, the read data is the last measurement result, and it can be judged whether the read measurement result is updated according to the read status byte.

## I2C INTERFACE

The I2C bus uses SCL and SDA as signal lines, both of which are connected to VDD through pull-up resistors (typ.value: 2.2K) and remain high level when not communicating. I2C device factory setting slave address: **0X38**



### Write Operation



Write 0xE1 0x08 0x00 to sensor address 0x70 to set XGZP6827D to enable the calibration calculation function of pressure value and temperature value; write 0xAC 0x77 0x00 to sensor address 0x70 to notify XGZP6827D to start a pressure value and temperature value measurement .

0x70 means the default 7bits I2C sensor slave device address is 0x38, and the last 1bit is 0 means the master device MCU writes the slave device.

The write address is  $0X38 \ll 1 + 0 = 0X70$ , the read address is  $0X38 \ll 1 + 1 = 0X71$

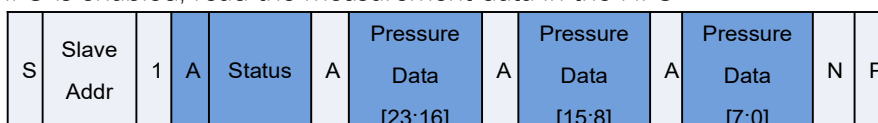
### Read Operation

(a) 8bit status word can be read at any time

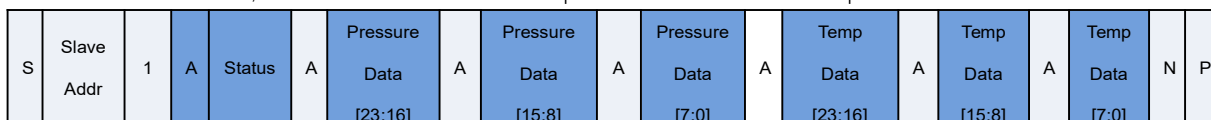


The status of the sensor is judged by the Status byte read from the sensor. For details, please refer to

(b)When the FIFO is enabled, read the measurement data in the FIFO



(c) When the FIFO is disabled, after sending the 0xAC 0x77 0x00 command, wait for the end of the sensor measurement, and then read the 20bit pressure and 20bit temperature measurement data.



Note: After sending the write command, need to wait for a period of time, wait for the end of the sensor measurement of the slave device, and then send the read command to read the measurement data.

Table: Status of Bits

Use the I2C interface for read operation, and the valid data read always starts from the status byte (Status). The status byte reflects the state of the chip after the last command was executed.

Bit	Significancy	Description
Bit7	(Busy indication)	1--device busy, under measurement Status 0--device idle, under sleep Status
Bit6:5	(Mode Status)	00--present status is NOR mode; 01--present status is CYC mode; 1x--present status is CMD mode.
Bit4	CRC_flag (Memory integrity/ error flag)	0--Indicates that the OTP memory data integrity test (CRC) passed; 1--Indicates that the integrity test has failed, indicating that there is an error in the OTP data, and the retention of the OTP data may be invalid.
Bit3	(Calibration Enable)	0--The calibration calculation function is disabled, and the output data is the original data output by the ADC; 1--The calibration calculation function is enabled, and the output data is the calibrated data.
Bit2	FIFO_Enable	0--FIFO function is disabled; 1--FIFO function is enabled
Bit1	FIFO_FULL	0--FIFO data is not full; 1--FIFO data is full
Bit0	FIFO_EMPTY	0--FIFO data is not empty; 1--FIFO data is empty.

## INT Interruption

After starting the measurement, INT becomes a low level "0"; after the measurement is over, INT becomes a high level "1", after reading the data, the INT pin is automatically set to 0, and the INT pin is PIN 3.

## Sleep Standby

After the sensor completes the measurement, it enters the sleep standby state, and the standby power consumption is 0.1uA.

## IIC Command Description

Command	Configuration	Return value	Description
0xAC	Refer to annex table A	20bit pressure value 20bit temperature value	1: measurement don't finish 0: measurement finished
0xA8	---	---	Enter NOR mode
0xE0	---	---	Enter CYC mode
0xE1	Refer to annex table B	---	Modify sleep time of CYC mode
0xBA	---	---	Soft reset
0xBB	---	---	FIFO Reset



Annex Table A: ADC OSR Setting&amp;Measurement Time

Binary Value	OSR_P/OSR_T	Measurement Time (ms)
000	128x	33
001	64x	17
010	32x	8.4
011	16x	4.3
100	8x	2.2
101	4x	1.2
110	2x	0.7
111	1x	0.4

Annex Table B: CYC Mode System Configuration Instructions

Binary Value	OSR_P/OSR_T	Measurement Time (ms)
15	INT PIN Active Level	0: Low Level active 1:High Level active
14	FIFO interrupttion when data full	0: Close interrupttion when data full 1: Enable interrupttion when data full
13	——	Reserve
12	FIFO funtion	0: close FIFO 1:enable FIFO
11	Output data type	0: raw output data 1: calibrated output data
[10: 9]	——	Reserve
[8:6]	Temperature measurement rate control	000: measure temp.at every cycle 001: measure temp.at 2 cycles 010: measure temp.at 4 cycles 011: measure temp.at 8 cycles 100: measure temp.at 16 cycles 101: measure temp.at 32 cycles 110: measure temp.at 64 cycles 111: measure temp.at 128 cycles
[5:3]	Measurement cycle setting	000:5ms(200Hz) 001:10ms(100Hz) 010:20ms(50Hz) 011:40ms(25Hz) 100:80ms(12.5Hz) 101:250ms(4Hz) 110:500ms(2Hz) 111:1000ms(1Hz)
[2:0]	——	Reserve

## 0xAC Instruction description

Instruction format:

Command byte	Data byte 0								Data byte 1							
	7	6	5	4	3	2	1	0	7	6	5	4	3	2	1	0
0xAC	0		OSR_T		0		OSR_P					0x00				

EG.: to set 32 times oversampling of pressure and temperature, send the following command:

S	0x38	0	A	0xAC	A	0x22	A	0x00	A	P
---	------	---	---	------	---	------	---	------	---	---

- **Conversion Example:**

The pressure calibration value is converted as follows:

Convert 0x9B, 0xB0, and 0xC5 to decimal numbers as 10203333. This calculation assumes that the calibration range used is 0Kpa-40Kpa, and the corresponding AD output is 2516582~14260633 (15%AD~85%AD),

Actual pressure value=(40-0)/(14260633-2516582)\*(10203333-2516582)+0=10.99 Kpa

The temperature calibration value is converted as follows:

Converting 0x56, 0xAA, 0x00 to decimal number is 5679616. Since the read calibration data is expressed as a percentage, this percentage is numerically equal to the maximum value of the decimal number and 24bits unsigned number we converted (16777216) ratio, so it can be calculated when converting the percentage:  
 $5679616/16777216*100\%=33.85\%$

The measurement range of the temperature sensor is specified as -50°C~150°C, so the calibration value  
 $=(150-(-50))*33.85\%-50=17.70^{\circ}\text{C}$

When using FIFO to read 24-bit data, the upper 20 bits can be used for the above calculation. The reference formula is as follows:

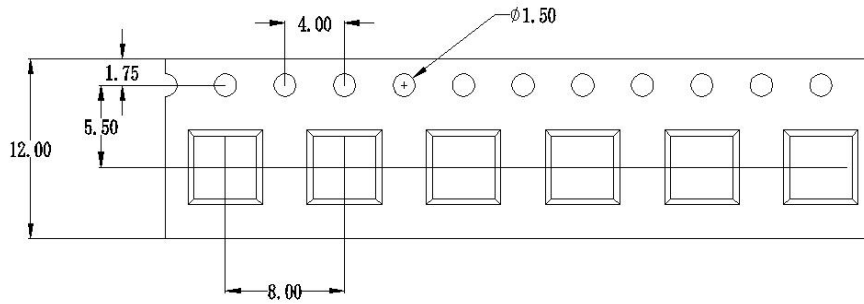
$$\text{Temperature}[^{\circ}\text{C}] = \frac{T[19:0]}{2^{20}} \cdot 200 - 50$$

In the same way, the above pressure calculation formula can be calculated by only taking the upper 20 digits.

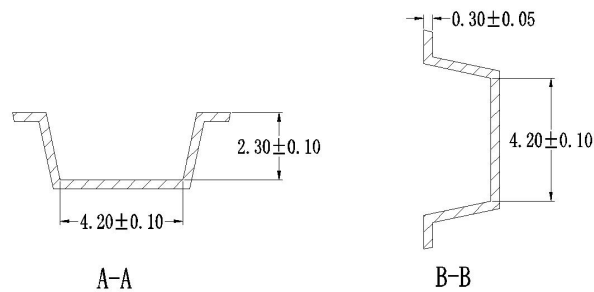
## PACKING INFORMATION

Tape&Reel(unit:mm)

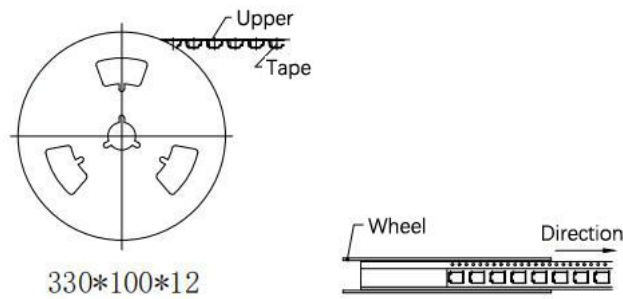
Quantity/Reel: 2,500 pcs



Tape



Side view



Reel

Note: The packing method for less quantity than standard quantity/reel may be not quite same with above.

## OVERALL NOTES

Unless otherwise specified, following notes are general attention or presentation for all products from CFSensor.

### Mounting

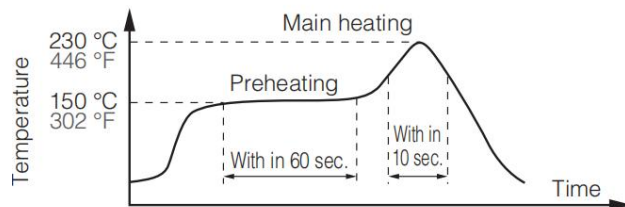
The following steps is for transmitting the air pressure to sensor after sensor soldering on PCB.

- ▼ For some sensors that come with inlet tube, select the flexible pipe to suit the pressure inlet that is firm enough to prevent the pressure leaks.
- ▼ Atmosphere hole (for Gauge type sensors) and Inlet pipe/hole can't be blocked with gel or glue etc...
- ▼ Avoiding excessive external force operation

### Soldering

Due to its small size, the thermal capacity of the pressure sensor is low. Therefore, take steps to minimize the effects of external heat. Damage and changes to characteristics may occur due to heat deformation. Use a non-corrosive resin type of flux. Since the pressure sensor is exposed to the atmosphere, do not allow flux to enter inside.

- ▼ Manual soldering
  - Raise the temperature of the soldering tip between 260 and 300°C/500 and 572°F (30 W) and solder within 5 seconds.
  - The sensor output may vary if the load is applied on the terminal during soldering.
  - Keep the soldering tip clean.
- ▼ DIP soldering (DIP Terminal)
  - Keep the temperature of the DIP solder tank below 260°C/500 and solder within 5 seconds.
  - To avoid heat deformation, do not perform DIP soldering when mounting on the PCB which has a small thermal capacity.
- ▼ Reflow soldering (SMD Terminal)
  - The recommended reflow temperature profile conditions are given below.



- Self alignment may not always work as expected, therefore, please carefully note the position of the terminals and pattern.
- The temperature of the profile is assumed to be a value measured with the PCB of the terminal neighborhood.
- Please evaluate solderability under the actual mounting conditions since welding and deformation of the pressure inlet port may occur due to heat stress depending on equipments or conditions.

- ▼ Rework soldering
  - Complete rework at a time.
  - Use a flattened soldering tip when performing rework on the solder bridge. Do not add the flux.
  - Keep the soldering tip below the temperature described in the specifications.
- ▼ Avoid drop and rough handling as excessive force may deform the terminal and damage soldering characteristics.
- ▼ Keep the circuit board warpage within 0.05 mm of the full width of the sensor.
- ▼ After soldering, do not apply stress on the soldered part when cutting or bending the circuit board.
- ▼ Prevent human hands or metal pieces from contacting with the sensor terminal. Such contact may cause anomalous outlets as the terminal is exposed to the atmosphere.
- ▼ After soldering, prevent chemical agents from adhering to the sensor when applying coating to avoid insulation deterioration of the circuit board.

### Connecting

- ▼ Correctly wire as in the connection diagram. Reverse connection may damage the product and degrade the performance.
- ▼ Do not use idle terminals(N/C) to prevent damages to the sensor.

### Cleaning

- ▼ Since the pressure sensor is exposed to the atmosphere, do not allow cleaning fluid to enter inside from atmosphere hole (for Gauge type sensors) and inlet pipe.
- ▼ Avoid ultrasonic cleaning since this may cause breaks or disconnections in the wiring.

### Environment

- ▼ Please avoid using or storing the pressure sensor in a place exposed to corrosive gases (such as the gases given off by organic solvents, sulfurous acid gas, hydrogen sulfides, etc.) which will adversely affect the performance of the pressure sensor chip.
- ▼ Since this pressure sensor itself does not have a water-proof construction(even available media can be liquid), please do not use the sensor in a location where it may be sprayed with water, etc.
- ▼ Avoid using the pressure sensors in an environment where condensation may form. Furthermore, its output may fluctuate if any moisture adhering to it freezes.
- ▼ The pressure sensor is constructed in such a way that its output will fluctuate when it is exposed to light. Especially when pressure is to be applied by means of a transparent tube, take steps to prevent the pressure sensor chip from being exposed to light.
- ▼ Avoid using pressure sensor where it will be susceptible to ultrasonic or other high-frequency vibration.
- ▼ Keeping the sensors sealed in static shielding bags with an oxygen-free condition and use the sensor as soon as possible once unfold the package, because the sensors' PINs may be oxidated a bit under atmosphere environment(slight oxidation wouldn't affect soldering and performance)

### More Precautions

- ▼ That using the wrong pressure range or mounting method may result in accidents.
- ▼ The only direct pressure medium you can use is non-corrosive gas or air as illuminated above(Note: some sensors are compatible with liquid media). The use of other media, in particular, corrosive gases and liquid (organic solvent based, sulfurous acid based, and hydrogen sulfide based, etc.) or contains foreign substances will cause malfunction and damage. Please do not use them and check with CFSensor.
- ▼ The pressure sensor is positioned inside the pressure inlet. Never poke wires or other foreign matter through the pressure inlet since they may damage the sensor or block the inlet. Avoid use when the atmospheric pressure inlet(only for Gauge type pressure sensor) is blocked.
- ▼ Use an operating pressure which is within the rated pressure range. Using a pressure beyond this range may cause damage.
- ▼ Since static charge can damage the pressure sensor, bear in mind the following handling precautions.
  - ⊙ When storing the pressure sensor, use a conductive material to short the pins or wrap the entire sensor in aluminum foil. Common plastic containers should not be used to store or transport the sensor since they readily become charged.
  - ⊙ When using the pressure sensor, all the charged articles on the bench surface and the work personnel should be grounded so that any ambient static will be safely discharged.
- ▼ Based on the pressure involved, give due consideration to the securing of the pressure sensor.

### 【 SAFETY NOTES 】

Using these sensors products may malfunction due to external interference and surges, therefore, please confirm the performance and quality in actual use. Just in case, please make a safety design on the device (fuse, circuit breaker, such as the installation of protection circuits, multiple devices, etc.), so it would not harm life, body, property, etc even a malfunction occurs. To prevent injuries and accidents, please be sure to observe the following items:

- The driving current and voltage should be used below the rated value.
- Please follow the terminal connection diagram for wiring. Especially for the reverse connection of the power supply, it will cause an accident due to circuit damage such as heat, smoke, fire, etc.
- In order to ensure safety, especially for important uses, please be sure to consider double safety circuit configuration.
- Do not apply pressure above the maximum applied pressure. In addition, please be careful not to mix foreign matter into the pressure medium. Otherwise, the sensor will be discarded, or the media will blow out and cause an accident.
- Be careful when fixing the product and connecting the pressure inlet. Otherwise, accidents may occur due to sensor scattering and the blowing out of the media.
- If the sensor come with sharp PIN, please be careful not to hurt your body when using it.

### 【 WARRANTY 】

The information in this sheet has been carefully reviewed and is believed to be accurate; however, no responsibility is assumed for inaccuracies. Furthermore, this information does not convey to the purchaser of such devices any license under the patent rights to the manufacturer. CFSensor reserves the right to make changes without further notice to any product herein. CFSensor makes no warranty, representation or guarantee regarding the suitability of its product for any particular purpose, nor does CFSensor assume any liability arising out of the application or use of any product or circuit and specifically disclaims any and all liability, including without limitation consequential or incidental damages. Typical parameters can and do vary in different applications. All operating parameters must be validated for each customer application by customer's technical experts. CFSensor does not convey any license under its patent rights nor the rights of others.

### 【 CONTACT 】

**CFSensor**

22F/14Bldg High-Tech Park High-Tech Area Wuhu P.R.C.241000

Tel/Fax:+86 18226771331      Email:INFO@CFSensor.com

North America || Europe || Southeast Asia || Middle East || Latin America