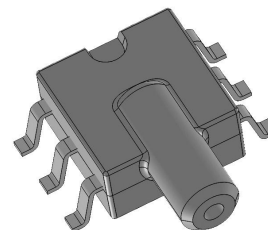


XGZP6863A PRESSURE SENSOR

FEATURES

- Wide Ranges: -100kPa~0kPa~1000kPa(show in [Pressure Range Example](#))
- Gauge Pressure Type(Positive&Vacuum)
- For Non-corrosive Gas or Air
- Optional 5V and 3.3V Voltage
- Calibrated Amplified Analog Signal(Refer to XGZP6863D for I2C interface)
- Temp. Compensated: 0°C ~ +60°C(32°F ~ +140°F)
- Horizontal Inlet for Space Saving.



✓ **RoHS**

APPLICATIONS

- Medical&Healthcare
- Industrial&Automation
- Domestic Appliance
- Consumer Electronic
- Automotive Electronic

INTRODUCTION

XGZP6863A is a perfect board mounted pressure sensor offering a ratio-metric analog interface for reading pressure over the specified full scale pressure span.

The XGZP6863A incorporates a silicon piezoresistive pressure sensor die and an interior Application Specific Integrated Circuit(ASIC) in a SMT package

The XGZP6863A is fully calibrated and temperature compensated for specified span, so XGZP6863A pressure sensor satisfy the perfect accuracy, which is designed for a wide range of applications in medical care&health, home appliances, consumer electronic, industry, automotive, IoT and other pneumatic devices etc by utilizing a microcontroller or microprocessor with A/D inputs.

XGZP6863A pressure sensor is for high volume application at an affordable cost and perfect performance, especially for space saving due to the horizontal inlet structure.

Customized calibration parameter (pressure range, working voltage, output etc.) are available.

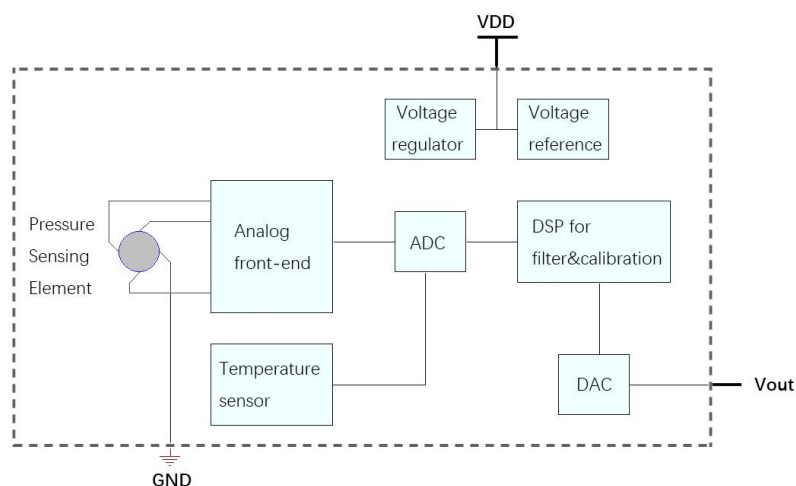
PERFORMANCE SPECIFICATION

Unless otherwise specified, measurements were taken with a temperature of $25 \pm 1^\circ\text{C}$ and humidity from 25% ~ 85%RH

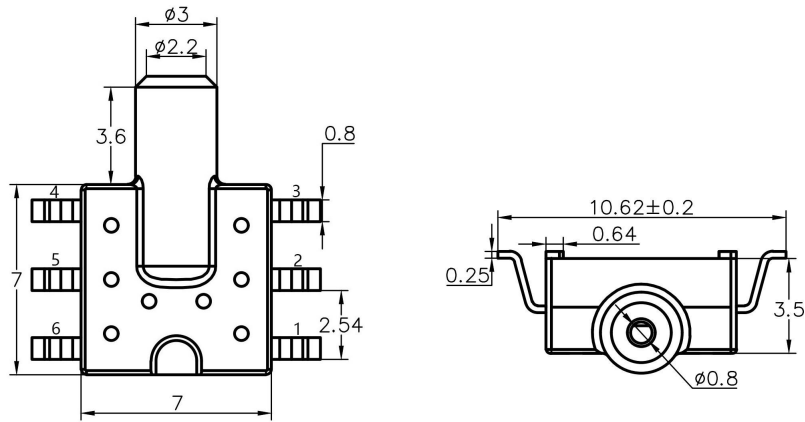
CHARACTERISTIC	MIN.	TYP.	MAX	UNIT	
Available Pressure Range ^①	-100...-2.5 ~ 0 ~ 2.5...200			kPa	
Power Supply ^②	4.75	5	5.25	Vdc	
	3	3.3	3.6	Vdc	
Current Consumption	-	2	-	mA	
Output Range ^③	5Vdc Power Supply			0.5 ~ 4.5	Vdc
	3.3Vdc Power Supply			0.2 ~ 2.7	Vdc
Total Accuracy	10kPa < Pressure ≤ 200kPa		±2	%FSS	
	Pressure ≤ 10kPa or > 200kPa		±2.5	%FSS	
Long Term Stability(1000 hr, 25°C)	-	-	±0.5	%FSS	
Over Pressure ^④	Pressure ≤ 5kPa		5X	FSS	
	5kPa < Pressure ≤ 200kPa		2.5X	FSS	
Burst Pressure ^④	Pressure ≤ 5kPa		10X	FSS	
	5kPa < Pressure ≤ 200kPa		3X	FSS	
Compensation Temperature	0	-	60	°C	
Operating Temperature	-30	-	100	°C	
Storage Temperature	-40	-	125	°C	
ESD Protection(Human Body Mode)	-	±2000	-	V	
Response Time(T90)	-	2.5	-	mS	

- ① The range cover all pressure ranges as shown as "PRESSURE RANGE EXAMPLE" list.
- ② Sensors are either 3.3 Vdc or 5.0 Vdc based on the "ORDER GUIDE" selected; and overload voltage(6.5Vdc above) or current(5mA above) may burn the IC and cause the sensor fail thoroughly.
- ③ The output value is achieved within the specified operating voltage, contact CFSensor for customized output if required.
- ④ The indicated value is widespread value, contact CFSensor for more information on specific pressure range.

BLOCK DIAGRAM

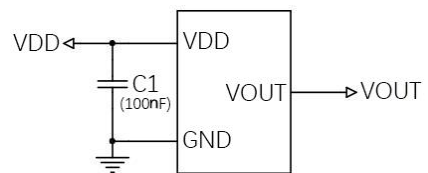


DIMENSION (Unit:mm Unspecified Tolerances:±0.1mm)



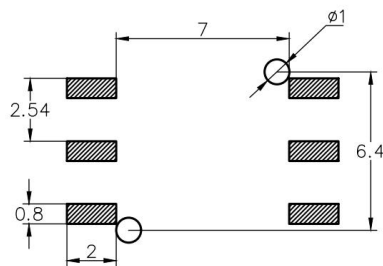
PIN DEFINITION

PIN1	PIN2	PIN3	PIN4	PIN5	PIN6
N/C	VDD	OUT	N/C	N/C	GND
N/C	Do not connect to external circuitry or ground				
VDD	Voltage supply				
GND	Ground				
OUT	Output voltage				

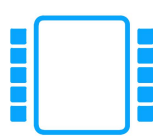


Recommended Application Circuit

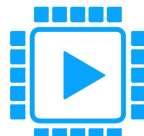
FOOTPRINT (Unit:mm)



NOTE: FOOTPRINT LAYOUT FOR REFERENCE ONLY



Symbol



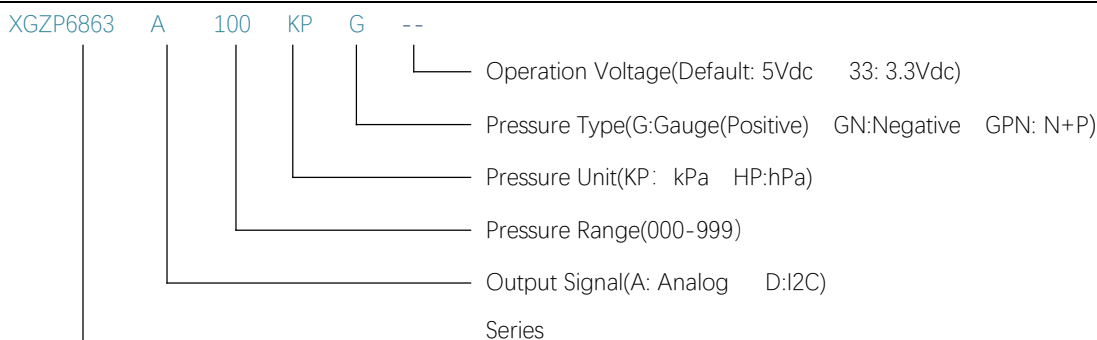
FootPrint



3D

Contact CFSensor for above file for design if required.

ORDER GUIDE



Note: Custom requirement or parameter(e.g pressure range, output etc.), consult with CFsensor on Part Number.

PRESSURE RANGE EXAMPLE

Notes: 1. Unit conversion: 1000hPa=100kPa=0.1MPa=1000mbar=1bar ≈ 750mmHg ≈ 14.5PSI ≈ 10mH₂O;

2. Available for more custom pressure range e.g. -7 ~ 7kPa, , 0-700kPa etc.,.

Pressure Range(kPa)	Pressure Range(by other units)	Part Number(5V Power supply)	Part Number(3.3V Power supply)
0 ~ 2	0 ~ 20mbar / 0 ~ 200mmH ₂ O	XGZP6863A020HPG	XGZP6863A020HPG33
0 ~ 5	0 ~ 50mbar / 0 ~ 500mmH ₂ O	XGZP6863A005KPG	XGZP6863A005KPG33
0 ~ 10	0 ~ 100mbar / 0 ~ 75mmHg	XGZP6863A010KPG	XGZP6863A010KPG33
0 ~ 20	0 ~ 200mbar / 0 ~ 150mmHg	XGZP6863A020KPG	XGZP6863A020KPG33
0 ~ 40	0 ~ 400mbar / 0 ~ 300mmHg	XGZP6863A040KPG	XGZP6863A040KPG33
0 ~ 100	0 ~ 1bar / 0 ~ 14.5PSI	XGZP6863A100KPG	XGZP6863A100KPG33
0 ~ 200	0 ~ 2bar / 0 ~ 29PSI	XGZP6863A200KPG	XGZP6863A200KPG33
-100 ~ 0	-1 ~ 0bar / -14.5 ~ 0PSI	XGZP6863A100KPGN	XGZP6863A100KPGN33
-30 ~ 0	-300 ~ 0mbar / -4.35 ~ 0PSI	XGZP6863A030KPGN	XGZP6863A030KPGN33
-20 ~ 0	-200 ~ 0mbar / -2.9 ~ 0PSI	XGZP6863A020KPGN	XGZP6863A020KPGN33
-2.5 ~ 2.5	-25 ~ 25mbar / -250 ~ 250mmH ₂ O	XGZP6863A025HPGPN	XGZP6863A025HPGPN33
-5 ~ 5	-50 ~ 50mbar / -500 ~ 500mmH ₂ O	XGZP6863A005KPGPN	XGZP6863A005KPGPN33
-40 ~ 40	-400 ~ 400mbar / -300 ~ 300mmHg	XGZP6863A040KPGPN	XGZP6863A040KPGPN33
-100 ~ 100	-1 ~ 1bar / -14.5 ~ 14.5PSI	XGZP6863A100KPGPN	XGZP6863A100KPGPN33
-100 ~ 200	-1 ~ 2bar / -14.5 ~ 29PSI	XGZP6863A200KPGPN	XGZP6863A200KPGPN33

★ Above P/N is example only, consult CFsensor whether required pressure range is under normal production before place order.

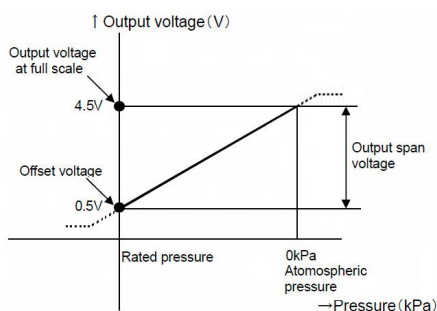
OUTPUT CURVE

Vacuum Pressure

Pressure value VS Output value

Model	100KPGN	020KPGN	010KPGN
Output(V)	Pressure (kPa)		
0.5	-100	-20	-10
1.5	-75	-15	-7.5
2.5	-50	-10	-5
3.5	-25	-5	-2.5
4.5	0	0	0

Curve(Output VS Pressure)



Pressure Conversion Formula

3.3V Power Supply: $Pressure = (output - 2.7) / K$
 5V Power Supply: $Pressure = (output - 4.5) / K$

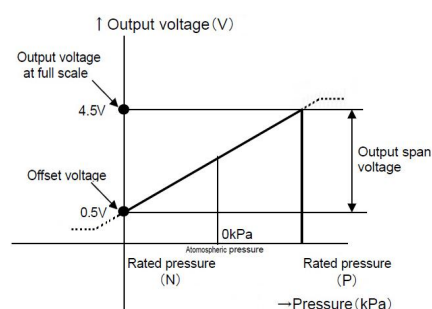
Pressure range & K value		
Range (kPa)	K value (3.3V)	K value (5V)
-10 ~ 0	0.25	0.4
-20 ~ 0	0.125	0.2
-40 ~ 0	0.0625	0.1
-100 ~ 0	0.025	0.04

Vacuum Pressure to Positive Pressure

Pressure value VS Output value

Model	005KPGPN	040KPGPN	100KPGPN
Output(V)	Pressure (kPa)		
0.5	-5	-40	-100
1.5	-2.5	-20	-50
2.5	0	0	-0
3.5	2.5	20	50
4.5	5	40	100

Curve(Output VS Pressure)



Pressure Conversion Formula

3.3V Power Supply: $Pressure = (output - 1.45) / K$
 5V Power Supply: $Pressure = (output - 2.5) / K$

Pressure range & K value		
Range (kPa)	K value (3.3V)	K value (5V)
-10 ~ 10	0.125	0.2
-40 ~ 40	0.03125	0.05
-100 ~ 100	0.0125	0.02

NOTE: -100KPA AS MAX VACUUM PRESSURE

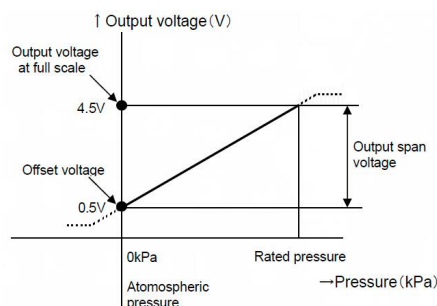
Positive Pressure

Pressure value VS Output value

Model	001KPG	025HPG
Output (V)	Pressure (kPa)	
0.5	0	0
1.5	0.25	0.625
2.5	0.5	1.25
3.5	0.75	1.875
4.5	1	2.5

Model	005KPG	010KPG	020KPG	040KPG	100KPG	200KPG
Output	Pressure (kPa)					
0.5	0	0	0	0	0	0
1.5	1.25	2.5	5	10	25	50
2.5	2.5	5	10	20	50	100
3.5	3.75	7.5	15	30	75	150
4.5	5	10	20	40	100	200

Curve(Output VS Pressure)



Pressure Conversion Formula

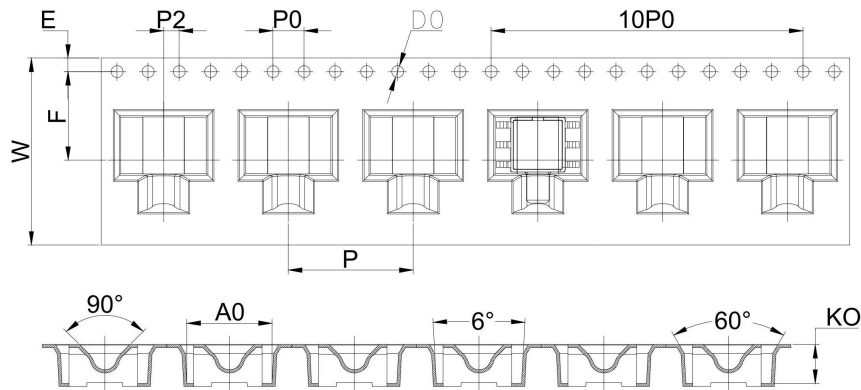
3.3V Power Supply: $Pressure = (output - 0.2) / K$
 5V Power Supply: $Pressure = (output - 0.5) / K$

Pressure range & K value		
Range (kPa)	K value (3.3V)	K value (5V)
0~1	2.5	4.0
0~2.5	1	1.6
0~5	0.5	0.8
0~10	0.25	0.4
0~20	0.125	0.2
0~40	0.0625	0.1
0~100	0.025	0.04
0~200	0.0125	0.02

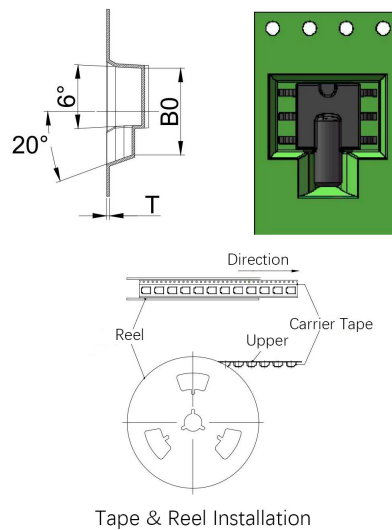
PACKING INFORMATION

The sensor should be stored in an ESD protective container before using them.

Packing	Reel&Tape	Inner Box	Note
Quantity	600PCS per tube	1200pcs(2pcs Reel)	Anti-static bag



Dimension (mm)	
E	1.75±0.10
F	11.50±0.10
P2	2.00±0.10
∅D ₀	1.50 $\begin{smallmatrix} +0.10 \\ -0.00 \end{smallmatrix}$
∅D ₁	/
P ₀	4.00±0.10
10P ₀	40.00±0.20
W	24.00±0.30
P	16.00±0.10
A ₀	10.95±0.10
B ₀	11.13±0.10
K ₀	5.00±0.10
T	0.40±0.05



Note: The packing size may be not quite same with above for other different quantity and samples.

OVERALL NOTES

Unless otherwise specified, following notes are general attention or presentation for all products from CFSensor.

Mounting

The following steps is for transmitting the air pressure to sensor after sensor soldering on PCB.

- ▼ For some sensors that come with inlet tube, select the flexible pipe to suit the pressure inlet that is firm enough to prevent the pressure leaks.
- ▼ Atmosphere hole (for Gauge type sensors) and Inlet pipe/hole can't be blocked with gel or glue etc,...
- ▼ Avoiding excessive external force operation

Soldering

Due to its small size, the thermal capacity of the pressure sensor is low. Therefore, take steps to minimize the effects of external heat. Damage and changes to characteristics may occur due to heat deformation. Use a non-corrosive resin type of flux. Since the pressure sensor is exposed to the atmosphere, do not allow flux to enter inside.

▼ Manual soldering

⊙ Raise the temperature of the soldering tip between 260 and 300°C/500 and 572°F (30 W) and solder within 5 seconds.

⊙ The sensor output may vary if the load is applied on the terminal during soldering.

⊙ Keep the soldering tip clean.

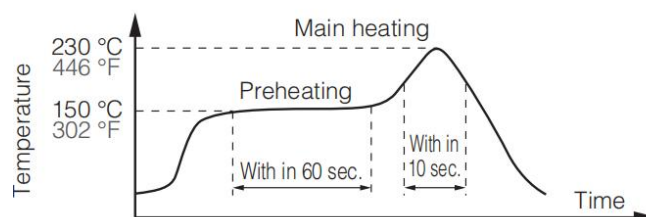
▼ DIP soldering (DIP Terminal)

⊙ Keep the temperature of the DIP solder tank below 260°C/500 and solder within 5 seconds.

⊙ To avoid heat deformation, do not perform DIP soldering when mounting on the PCB which has a small thermal capacity.

▼ Reflow soldering (SMD Terminal)

⊙ The recommended reflow temperature profile conditions are given below.



⊙ Self alignment may not always work as expected, therefore, please carefully note the position of the terminals and pattern.

⊙ The temperature of the profile is assumed to be a value measured with the printed circuit board of the terminal neighborhood.

⊙ Please evaluate solderability under the actual mounting conditions since welding and deformation of the pressure inlet port may occur due to heat stress depending on equipments or conditions.

▼ Rework soldering

⊙ Complete rework at a time.

⊙ Use a flattened soldering tip when performing rework on the solder bridge. Do not add the flux.

⊙ Keep the soldering tip below the temperature described in the specifications.

▼ Avoid drop and rough handling as excessive force may deform the terminal and damage soldering

characteristics.

- ▼ Keep the circuit board warpage within 0.05 mm of the full width of the sensor.
- ▼ After soldering, do not apply stress on the soldered part when cutting or bending the circuit board.
- ▼ Prevent human hands or metal pieces from contacting with the sensor terminal. Such contact may cause anomalous outlets as the terminal is exposed to the atmosphere.
- ▼ After soldering, prevent chemical agents from adhering to the sensor when applying coating to avoid insulation deterioration of the circuit board.
- ▼ Consult with CFSensor on leadfree soldering if need.

Connecting

- ▼ Correctly wire as in the connection diagram. Reverse connection may damage the product and degrade the performance.
- ▼ Do not use idle terminals(N/C) to prevent damages to the sensor.

Cleaning

- ▼ Since the pressure sensor is exposed to the atmosphere, do not allow cleaning fluid to enter inside from atmosphere hole (for Gauge type sensors) and inlet pipe.
- ▼ Avoid ultrasonic cleaning since this may cause breaks or disconnections in the wiring.

Environment

- ▼ Please avoid using or storing the pressure sensor in a place exposed to corrosive gases (such as the gases given off by organic solvents, sulfurous acid gas, hydrogen sulfides, etc.) which will adversely affect the performance of the pressure sensor chip.
- ▼ Since this pressure sensor itself does not have a water-proof construction(even available media can be liquid), please do not use the sensor in a location where it may be sprayed with water, etc.
- ▼ Avoid using the pressure sensors in an environment where condensation may form. Furthermore, its output may fluctuate if any moisture adhering to it freezes.
- ▼ The pressure sensor is constructed in such a way that its output will fluctuate when it is exposed to light. Especially when pressure is to be applied by means of a transparent tube, take steps to prevent the pressure sensor chip from being exposed to light.
- ▼ Avoid using pressure sensor where it will be susceptible to ultrasonic or other high-frequency vibration.
- ▼ Keeping the sensors sealed in static shielding bags with an oxygen-free condition and use the sensor as soon as possible once unfold the package, because the sensors' PINs may be oxidated a bit under atmosphere environment(slight oxidation wouldn't affect soldering and performance)

More Precautions

- ▼ That using the wrong pressure range or mounting method may result in accidents.
- ▼ The only direct pressure medium you can use is non-corrosive gas or air as illuminated above(Note: some sensors are compatible with liquid media). The use of other media, in particular, corrosive gases and liquid (organic solvent based, sulfurous acid based, and hydrogen sulfide based, etc.) or contains foreign substances will cause malfunction and damage. Please do not use them and check with CFSensor.
- ▼ The pressure sensor is positioned inside the pressure inlet. Never poke wires or other foreign matter through the pressure inlet since they may damage the sensor or block the inlet. Avoid use when the atmospheric pressure inlet(only for Gauge type pressure sensor) is blocked.

- ▼ Use an operating pressure which is within the rated pressure range. Using a pressure beyond this range may cause damage.
- ▼ Since static charge can damage the pressure sensor, bear in mind the following handling precautions.
- When storing the pressure sensor, use a conductive material to short the pins or wrap the entire sensor in aluminum foil. Common plastic containers should not be used to store or transport the sensor since they readily become charged.
- When using the pressure sensor, all the charged articles on the bench surface and the work personnel should be grounded so that any ambient static will be safely discharged.
- ▼ Based on the pressure involved, give due consideration to the securing of the pressure sensor.

【 SAFETY NOTES 】

Using these sensors products may malfunction due to external interference and surges, therefore, please confirm the performance and quality in actual use. Just in case, please make a safety design on the device (fuse, circuit breaker, such as the installation of protection circuits, multiple devices, etc.), so it would not harm life, body, property, etc even a malfunction occurs. To prevent injuries and accidents, please be sure to observe the following items:

- The driving current and voltage should be used below the rated value.
- Please follow the terminal connection diagram for wiring. Especially for the reverse connection of the power supply, it will cause an accident due to circuit damage such as heat, smoke, fire, etc.
- In order to ensure safety, especially for important uses, please be sure to consider double safety circuit configuration.
- Do not apply pressure above the maximum applied pressure. In addition, please be careful not to mix foreign matter into the pressure medium. Otherwise, the sensor will be discarded, or the media will be blown out and cause an accident.
- Be careful when fixing the product and connecting the pressure inlet. Otherwise, accidents may occur due to sensor scattering and the blowing out of the media.
- If the sensor comes with sharp PIN, please be careful not to hurt your body when using it.

【 WARRANTY 】

The information in this sheet has been carefully reviewed and is believed to be accurate; however, no responsibility is assumed for inaccuracies. Furthermore, this information does not convey to the purchaser of such devices any license under the patent rights to the manufacturer. CFSensor reserves the right to make changes without further notice to any product herein. CFSensor makes no warranty, representation or guarantee regarding the suitability of its product for any particular purpose, nor does CFSensor assume any liability arising out of the application or use of any product or circuit and specifically disclaims any and all liability, including without limitation consequential or incidental damages. Typical parameters can and do vary in different applications. All operating parameters must be validated for each customer application by customer's technical experts. CFSensor does not convey any license under its patent rights nor the rights of others.

【 CONTACT 】**CFSensor**

22F/14Bldg High-Tech Park High-Tech Area Wuhu P.R.C.241000

Tel/Fax:+86 18226771331 Email:INFO@CFSensor.com

North America || Europe || Southeast Asia || Middle East || Latin America